



Deluxe Double Swing

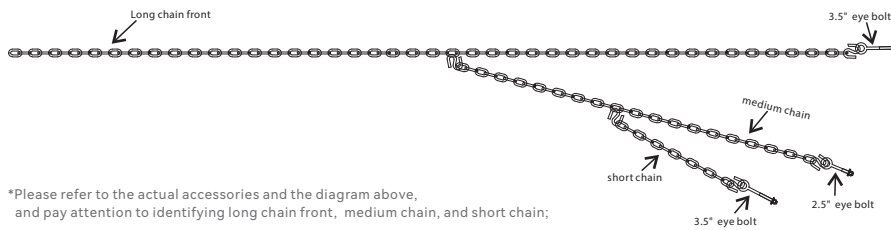
Instruction

Thank you for buying the SANIWERKE Deluxe Double Swing,
 This product is divided into two packages Part A and Part B,
 which together contain the following components:

CHAIN SET

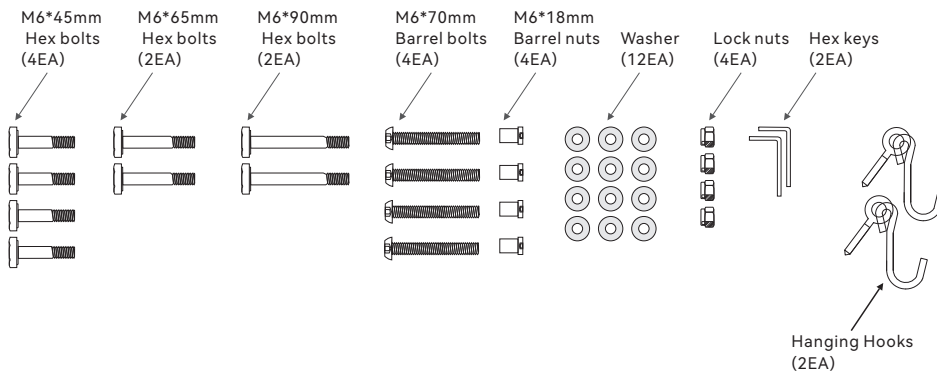
* CHAIN SETS: (2EA)

Note: not to scale, nuts and washers attached



*Please refer to the actual accessories and the diagram above,
 and pay attention to identifying long chain front, medium chain, and short chain;

HARDWARE PACK

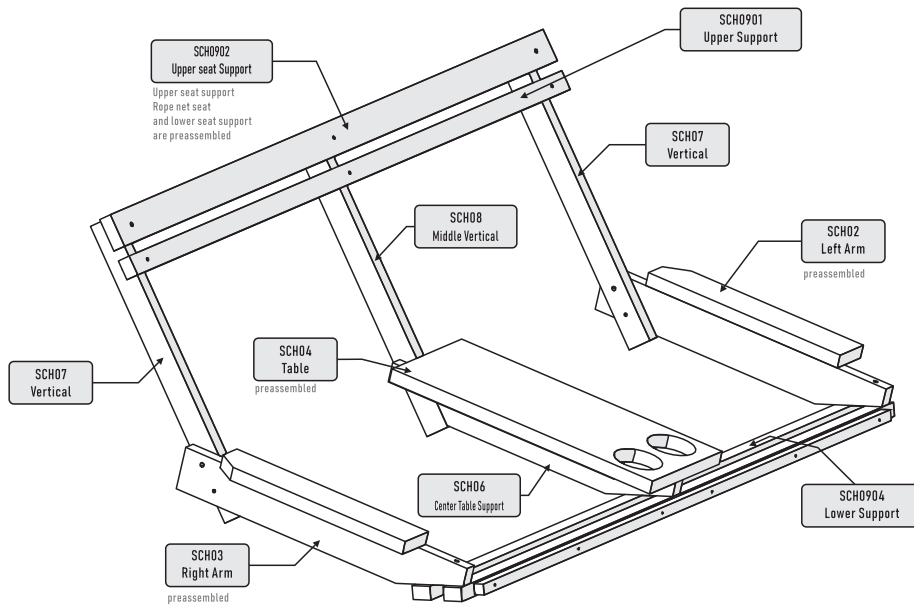


SUGGESTED TOOLS FOR ASSEMBLY

please prepare one wooden hammer, two 10mm wrenches and one 14mm wrench.

WOODEN PARTS

(Each part is labeled)

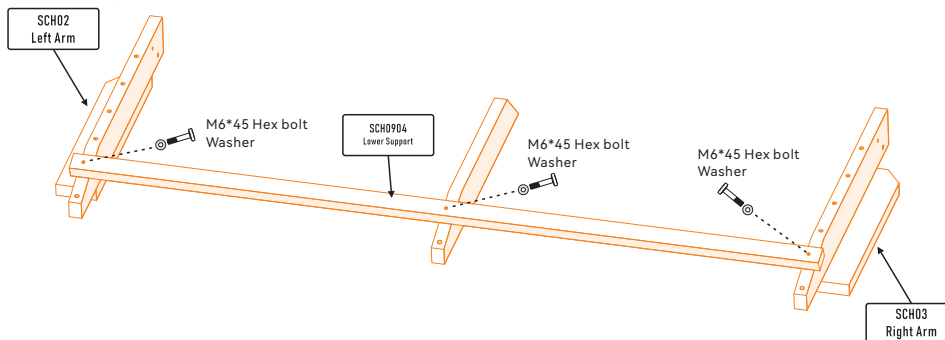


ASSEMBLY STEPS

- For better identification, some components have already been labeled with part numbers; The labels are all attached to the back, and you can remove them after installation;
- Please lay a layer of soft cloth or similar item on the table where you are assembling to prevent scratching the surface during assembly;
- Please refer to the following guidelines to assemble this product:

STEP 1

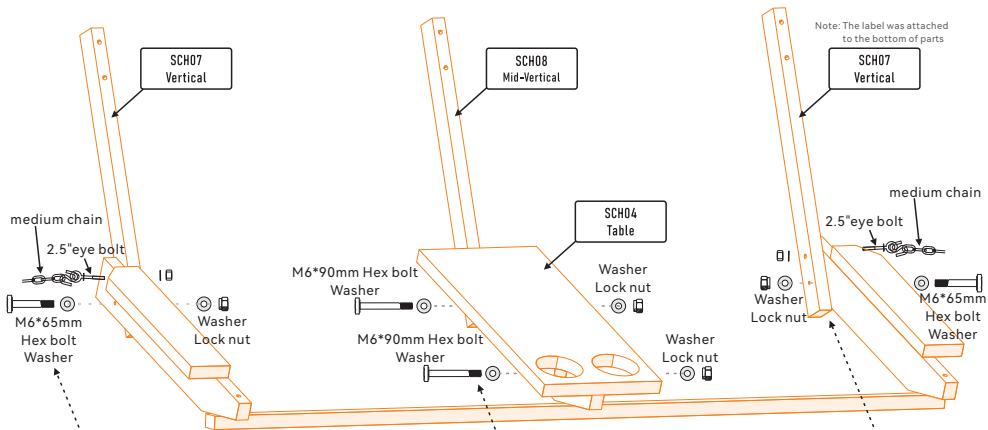
Note: The label was attached to the bottom of parts



Using 3 M6 * 45mm Hex bolts and 3 Washers, please **manually screw** in the bolts until they cannot be tightened by hand. Use a wrench to slowly tighten the bolts, please **do not over tighten** the bolts; After all components are installed, tighten the bolts to snug fit.

STEP 2

Please carefully flip the installed components of (STEP1) and do not bump them.
Please take out the wood components labeled with [SCH08 Mid-Vertical], [SCH07 Vertical], [SCH07 Vertical] and [SCH04 Table]; Place as shown in the figure below:

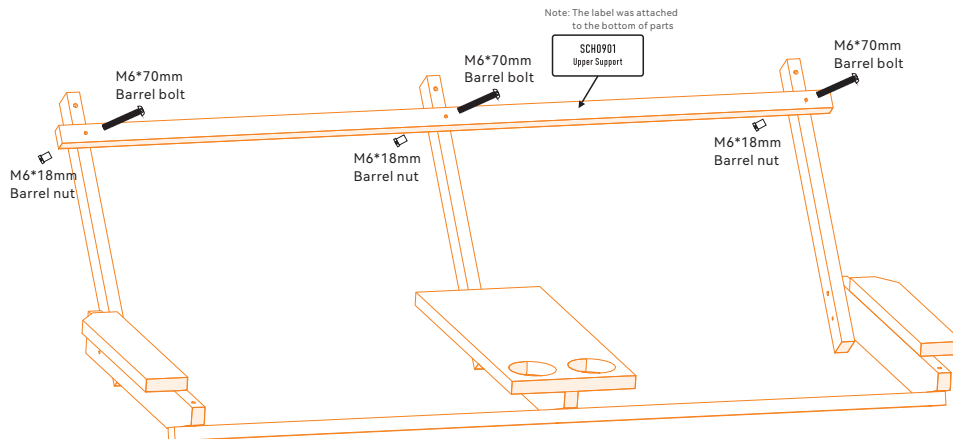


Please align the holes,
Use M6*65mm hex bolt, 2 washers, and lock nut;
2.5" eye bolt on medium chain for right arm.
Using a wooden hammer, slowly tap
the M6 * 65mm Hex bolt and 2.5"eye bolt into the hole
to make the connection more secure.

Please align the holes,
Use M6*65mm hex bolt, 2 washers, and lock nut;
2.5" eye bolt on medium chain for left arm.
Using a wooden hammer, slowly tap
the M6 * 65mm Hex bolt and 2.5"eye bolt into the hole
to make the connection more secure.

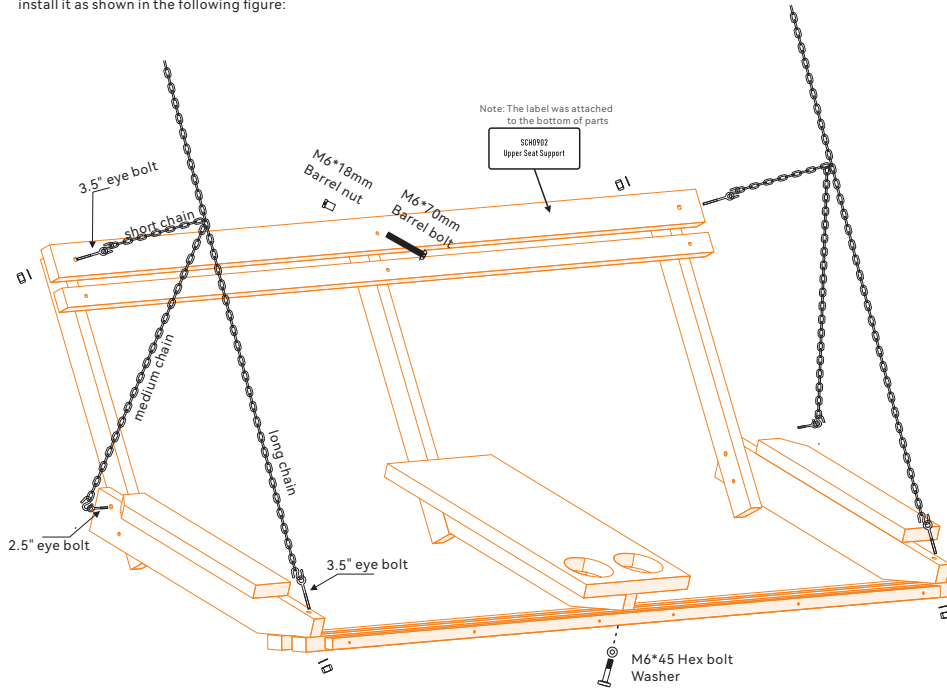
STEP 3

Please take the wood component labeled with [SCH0901 Upper Support] and install it as shown in below picture:



STEP 4

Please take the wood component with the [SCH0902 Seat support] label (which has already been installed with the Rope net seat) and install it as shown in the following figure:



All components have been installed.

Please hang the assembled Deluxe Double Swing in the desired position and tighten all connecting nuts until snug fit. After a small amount of use, please take a little time to re-tighten all nuts and bolts for best results and longevity. Please read and follow the <Care Instructions & Maintenance > for your Deluxe Double Swing.

Enjoy Your Swing!



(The photo on the left is for actual assembly and display hanging on the swing frame, for user reference only; The color and coating of the product shall be based on the actual product. Pillows and swing frame may not be included in this packaging.)



<http://www.saniwerke.com>

Care Instructions & Maintenance

Congratulations on your new swing! It is constructed from beautiful solid wood, stainless steel hardware and marine grade polyester rope.

The wood has already been treated with 2 coats of OSMO - UV-Protection Oil - 420 Clear Extra for superior protection in the elements.

However, to keep it looking great for years to come, follow these simple steps:

◆ Assembly:

- Take your time and don't force anything during setup or assembly.
- If assembly is required, put together loosely at first and then tighten bolts to a snug fit. Do not over-tighten.
- After a small amount of use, go back and tighten them snugly again. Do not over-tighten.

◆ Wood Care:

- The solid wood furniture is naturally weather-resistant and has a beautiful honey-brown color.
- It's already protected with the highest quality oil, (OSMO 420) but you should maintain it with a light coat of any wood oil every few seasons.
- Apply the oil on a sunny, dry day, paying extra attention to flat surfaces where water may puddle, armrests, tabletops, and wood ends or areas that come into contact with the ground.
- Avoid getting oil on the rope.
- Two thin coats are better than one thick coat. Apply oil according to the manufacturer instructions.
- If you want to keep the beautiful honey-brown color, apply oil long before the wood weathers and turns gray.
- You can use a rag to apply oil - it's easy and enhances the wood's natural beauty.
- We highly recommend that you oil the wood immediately after assembly as the original coatings have probably soaked into the wood during storage.
- Re-apply oil as necessary to keep wood moist and in tip-top condition.
- Let the oil dry before using the furniture. Refer to manufacturer instructions.
- Suggest use OSMO 420 or any other quality product Oil.

◆ Rope Care:

- The rope is made from durable marine-grade polyester, but mold or mildew can form on the surface in very wet conditions.
- To clean, spray a mold and mildew remover like Clorox Tilex on the rope, let it sit in the sun for 30 minutes, then rinse with a hose.
- For stubborn areas, use a soft brush.
- Let the furniture air dry completely in the sun.
- Replacement ropes are available if necessary.

◆ Storage:

- When not in use for long periods, especially winter, store your furniture in a covered area like a garage.
- This protects it from the harshest elements and keeps rodents away.

By following these simple tips, you'll enjoy the solid wood and rope swing for many years to come.

SANIWERKE, the original hammock & swing manufacturer.